

Ecostyle Radiant Panels



- **Elegant Italian Design**
- **Engineered for efficiency**
- **Convactor fins welded directly to waterways**
- **Stove enameled finish for scratch and corrosion resistance**



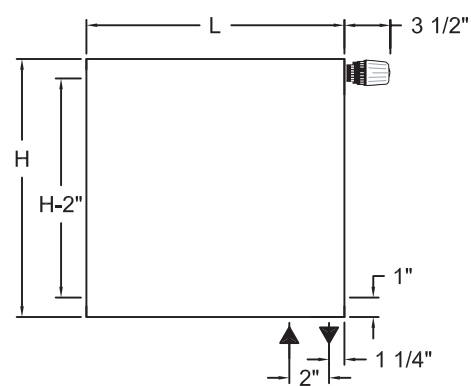
Quincy Hydronic Technology, Inc. • 1-800-501-7697 • E-mail: info@qhtinc.com

The Style of Warmth

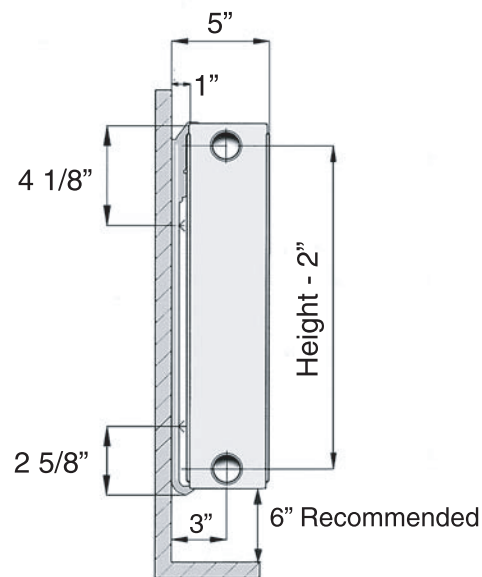
Ecostyle Radiator Panels provide exceptional radiant heat while adding style and efficiency to a home. Radiant heat acts like the sun, heating objects and people, not just air. This even warmth minimizes cold spots and drafts throughout the home. Ecostyle Radiators are equipped with integrated, flow-regulating valves which provide the flexibility to individually control each radiator. This feature offers a convenient and inexpensive means of sub-zoning. Ecostyle Radiators are designed for not only style and efficiency, but also resiliency. The radiators are manufactured from high quality steel and finished with high gloss stove enamel, making them scratch and corrosion resistant. With clamp mounting brackets and bottom connections, the Ecostyle Radiators are easy to install and reversible.

Ecostyle Radiator Panels

Radiator Model	Height (in)	Length (in)	Output (BTU)	Weight (lbs)	Water Content (gal)
B-12.16 ECO	12	16	1,705	15	0.37
B-12.24 ECO		24	2,562	22	0.53
B-12.32 ECO		32	3,414	29	0.71
B-12.40 ECO		40	4,266	37	0.90
B-12.48 ECO		48	5,119	44	1.08
B-12.56 ECO		56	5,971	51	1.27
B-12.64 ECO		64	6,828	58	1.43
B-16.16 ECO	16	16	2,167	20	0.48
B-16.24 ECO		24	3,524	30	0.71
B-16.32 ECO		32	4,337	40	0.95
B-16.40 ECO		40	5,421	49	1.19
B-16.48 ECO		48	6,504	59	1.43
B-16.56 ECO		56	7,587	69	1.66
B-16.64 ECO		64	8,675	78	1.90
B-16.71 ECO	71	9,758	88	2.11	
B-20.16 ECO	20	16	2,610	25	0.58
B-20.24 ECO		24	3,916	37	0.87
B-20.32 ECO		32	5,221	50	1.14
B-20.40 ECO		40	6,526	62	1.43
B-20.48 ECO		48	7,831	74	1.72
B-20.56 ECO		56	9,137	86	2.01
B-20.64 ECO		64	10,442	98	2.30
B-24.16 ECO	24	16	3,037	30	0.69
B-24.24 ECO		24	4,551	45	1.06
B-24.32 ECO		32	6,069	60	1.40
B-24.40 ECO		40	7,587	74	1.74
B-24.48 ECO		48	9,106	89	2.09
B-24.56 ECO		56	10,624	104	2.43
B-24.64 ECO		64	12,138	118	2.80
B-24.71 ECO	71	13,656	133	3.14	
B-36.16 ECO	36	16	4,240	46	0.95
B-36.24 ECO		24	6,362	68	1.43
B-36.32 ECO		32	8,480	90	1.90
B-36.40 ECO		40	10,602	112	2.38
B-36.48 ECO		48	12,724	135	2.85



CONNECTIONS



SIDE VIEW

Outputs based on 180° F Supply Temperature, 160° F Return Temperature and 68° F Room Temperature

Exclusively distributed by:



Quincy Hydronic Technology, Inc. • 1-800-501-7697 • E-mail: info@qhtinc.com