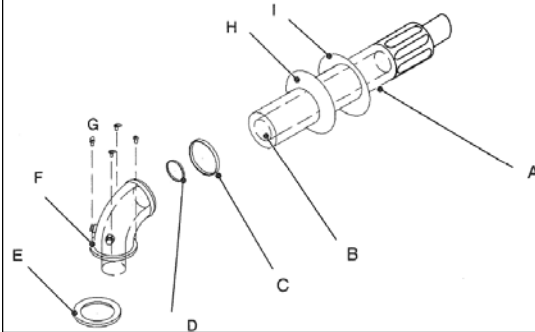


CONCENTRIC KIT



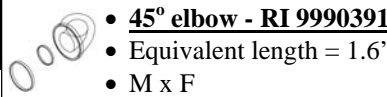
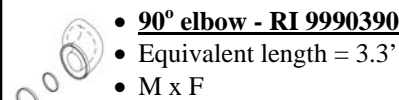
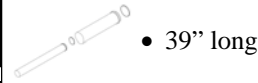
Condensing
Part # - RI 9990387

Kit parts:

- Appliance adapter elbow
- 39" termination pipe

Kit Length - 3.3 feet equivalent
Max Length - 9 feet equivalent

Extension - RI 9990388



Non Condensing

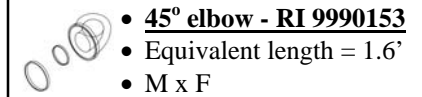
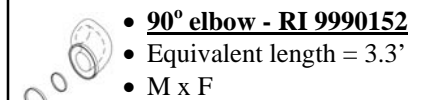
Part # - RI 9990148

Kit parts:

- Appliance adapter elbow
- 39" termination pipe

Kit Length - 3.3 feet equivalent
Max Length - 14 feet equivalent

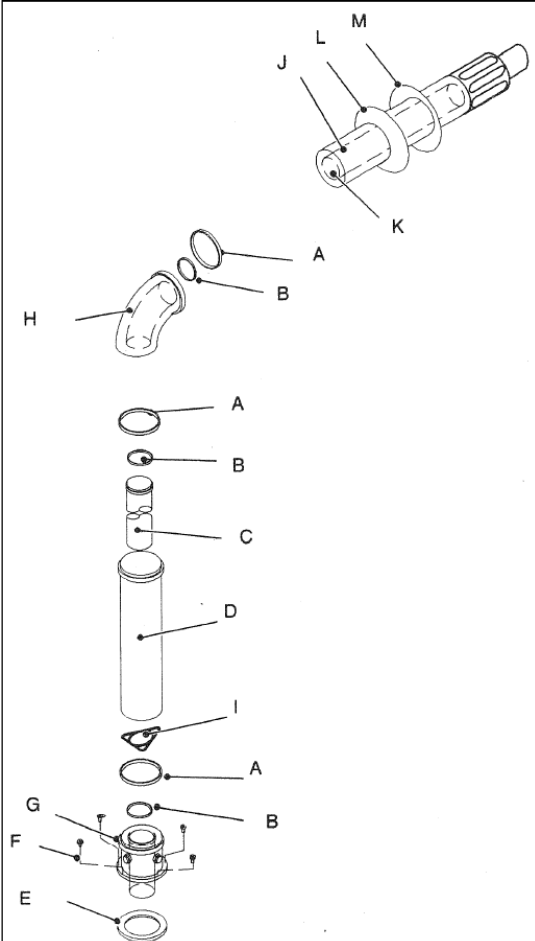
Extension - RI 9990149



CONCENTRIC RESTRICTOR CHART

Condensing		Non Condensing	
0 to 2.9 (ft)	#82	1.65 to 3.30 (ft)	#41
2.9 to 9 (ft)	No	3.30 to 9 (ft)	#44
		9 to 14 (ft)	No

CONCENTRIC RISER KIT



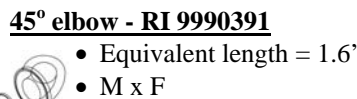
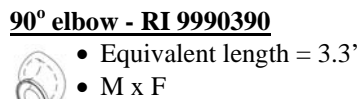
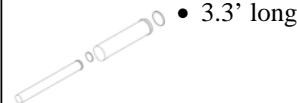
Condensing
Part # - RI 9990389

Kit parts:

- Appliance adapter
- 18" riser pipe
- M x F elbow
- 39" termination pipe

Kit Length - 4.8 feet equivalent
Max Length - 9 feet equivalent

Extension - RI 9990388



Non Condensing

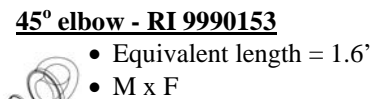
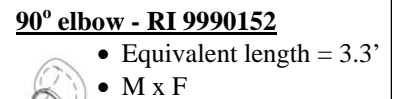
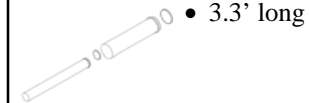
Part # - RI 9990322

Kit parts:

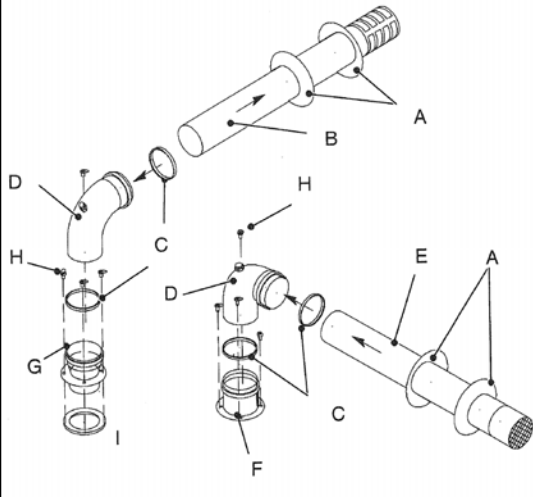
- Appliance adapter
- 18" riser pipe
- M x F elbow
- 39" termination pipe

Kit Length - 4.8 feet equivalent
Max Length - 14 feet equivalent

Extension - RI 9990149



SEPARATE VENT KIT



SEPARATE RESTRICTOR CHART

Condensing		Non Condensing	
3.3 to 49.2 (ft) (in + out)	#45	0 to 3.3 (ft) (in + out)	#38
		3.3 to 39.4 (ft) (in + out)	#41

Condensing

Part # - RI 9990393

Kit parts:

- Appliance adapter collar (2)
- M x F elbow (2)
- 39" termination pipe
- 39" intake pipe

Kit Length - 6.6 feet equivalent
(intake and exhaust)

Max Length - 49 feet equivalent

Extension - RI 9990394

- 3.3' long

90° elbow - RI 9990395

- Equivalent length = 3.3'
- M x F

45° elbow - RI 9990396

- Equivalent length = 1.6'
- M x F

Non Condensing

Part # - RI 8990016

Kit parts:

- Appliance adapter collar (2)
- M x F elbow (2)
- 39" termination pipe
- 39" intake pipe

Kit Length - 6.6 feet equivalent
(intake and exhaust)

Max Length - 99 feet equivalent

Extension - RI 9990159

- 3.3' long

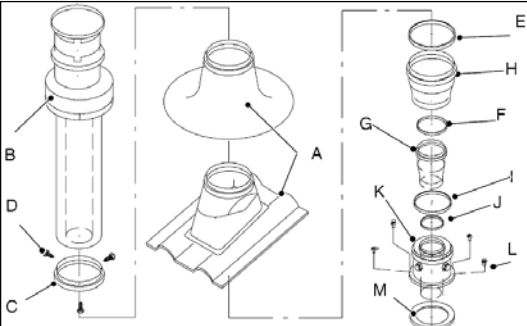
90° elbow

- Equivalent length = 3.3'
- M x F - **RI 9990178**
- F x F - **RI 9990160**

45° elbow - RI 999.0162

- Equivalent length = 1.6'
- M x F

ROOF VENT KIT



Condensing

Part # - RI 9990392

Kit parts:

- Appliance adapter collar
- Vent pipe increaser
- 46" Termination

Max Length - 29 feet equivalent

Extension - RI 9990407

- 3.3' long

90° elbow - RI 9990408

- Equivalent length = 3.3'
- M x F

45° elbow - RI 9990409

- Equivalent length = 1.6'
- M x F

Non Condensing

Part # - RI 9990251

Kit parts:

- Appliance adapter collar
- Vent pipe increaser
- 46" Termination

Max Length - 29 feet equivalent

Extension - RI 9990242

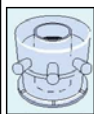
- 3.3' long

90° elbow - RI 9990256

- Equivalent length = 3.3'
- M x F

45° elbow - RI 9990255

- Equivalent length = 1.6'
- M x F



Condensate collector - RI RV CC

Part# - 999.0275

For non condensing boiler installations with over 9 vertical feet of vent **ONLY**.



Condensate siphon - RI RV CS

Part# - 999.0276

For non condensing boilers where condensate collector is used **ONLY**.



Flat flashing kit - RI RV FF

Part# - 999.0280

Flat roof flashing kit for condensing and non condensing boilers



Pitched flashing kit - RI RV PF

Part# - 999.0252

Pitched roof flashing kit for condensing and non condensing boilers