



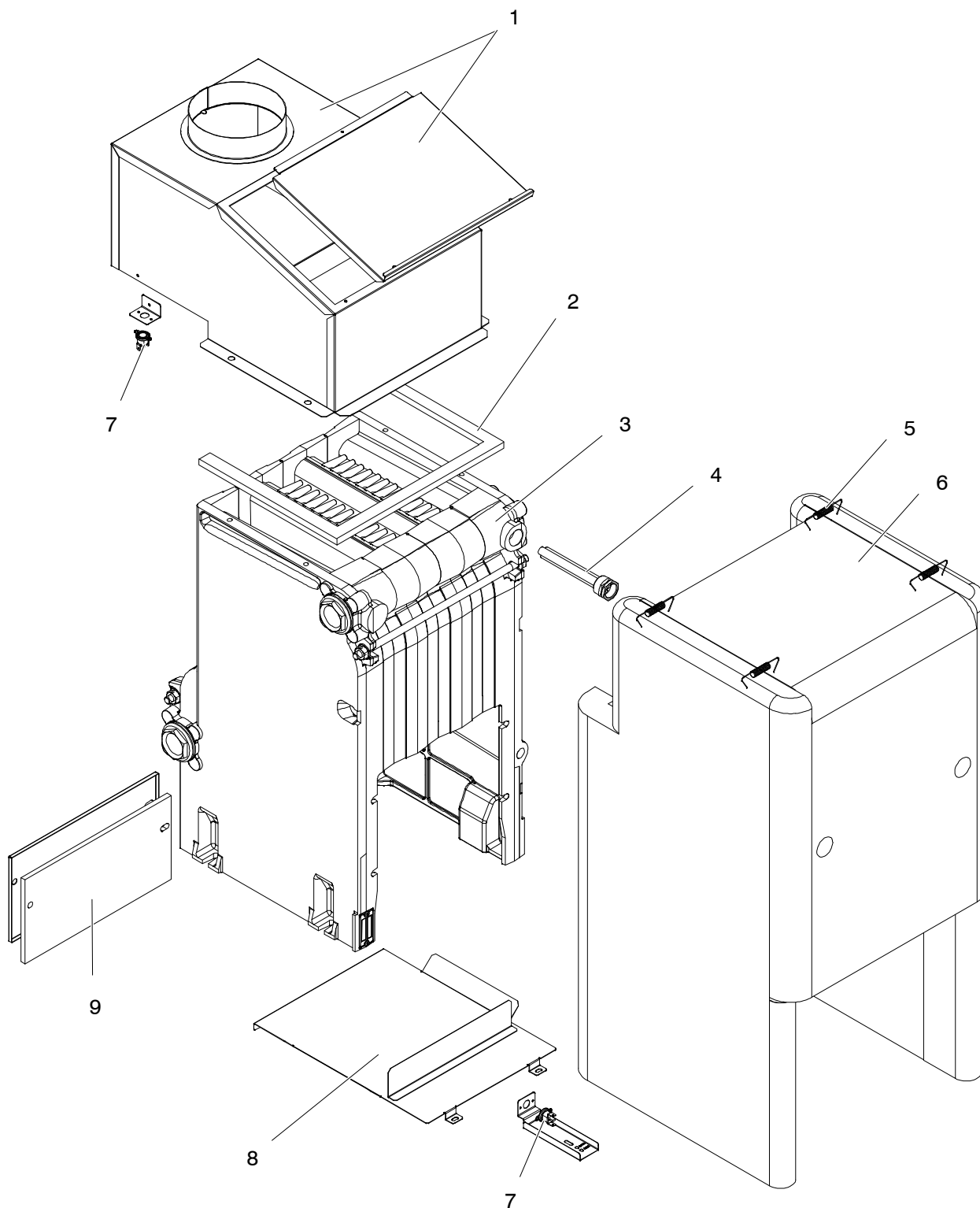
17562.0477.0 REV1

Spare Parts List

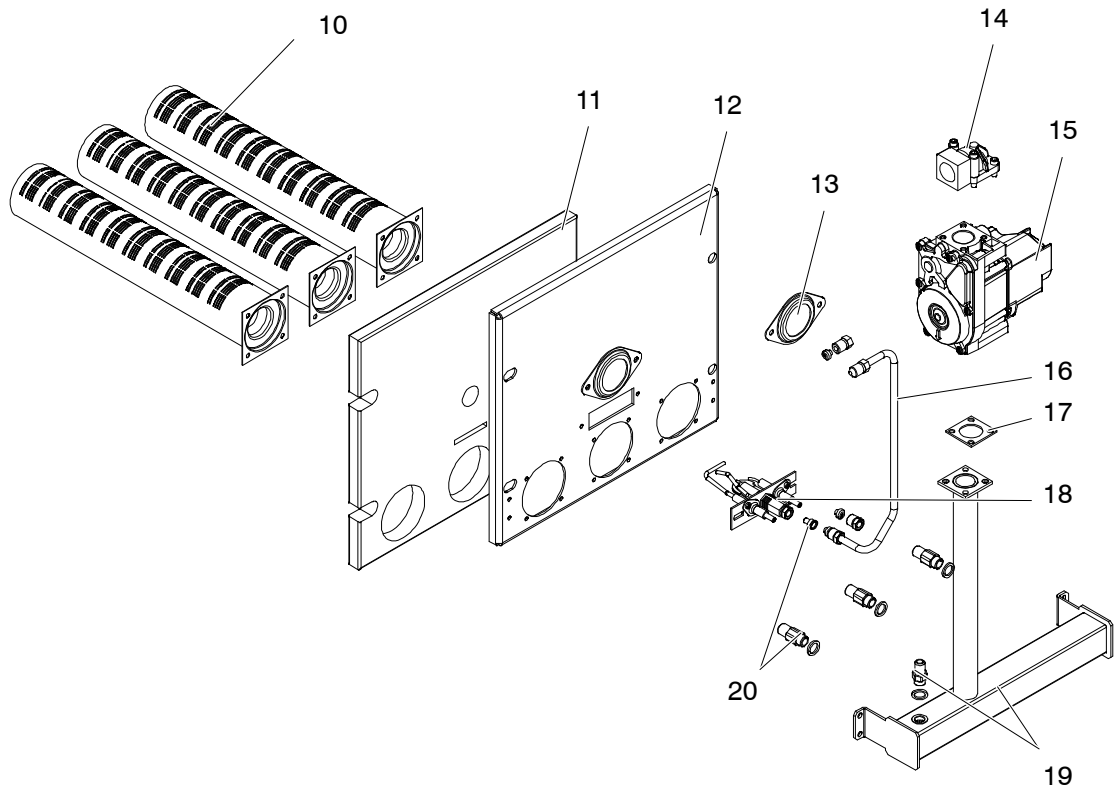
KAPPA R

Issue 07/2017

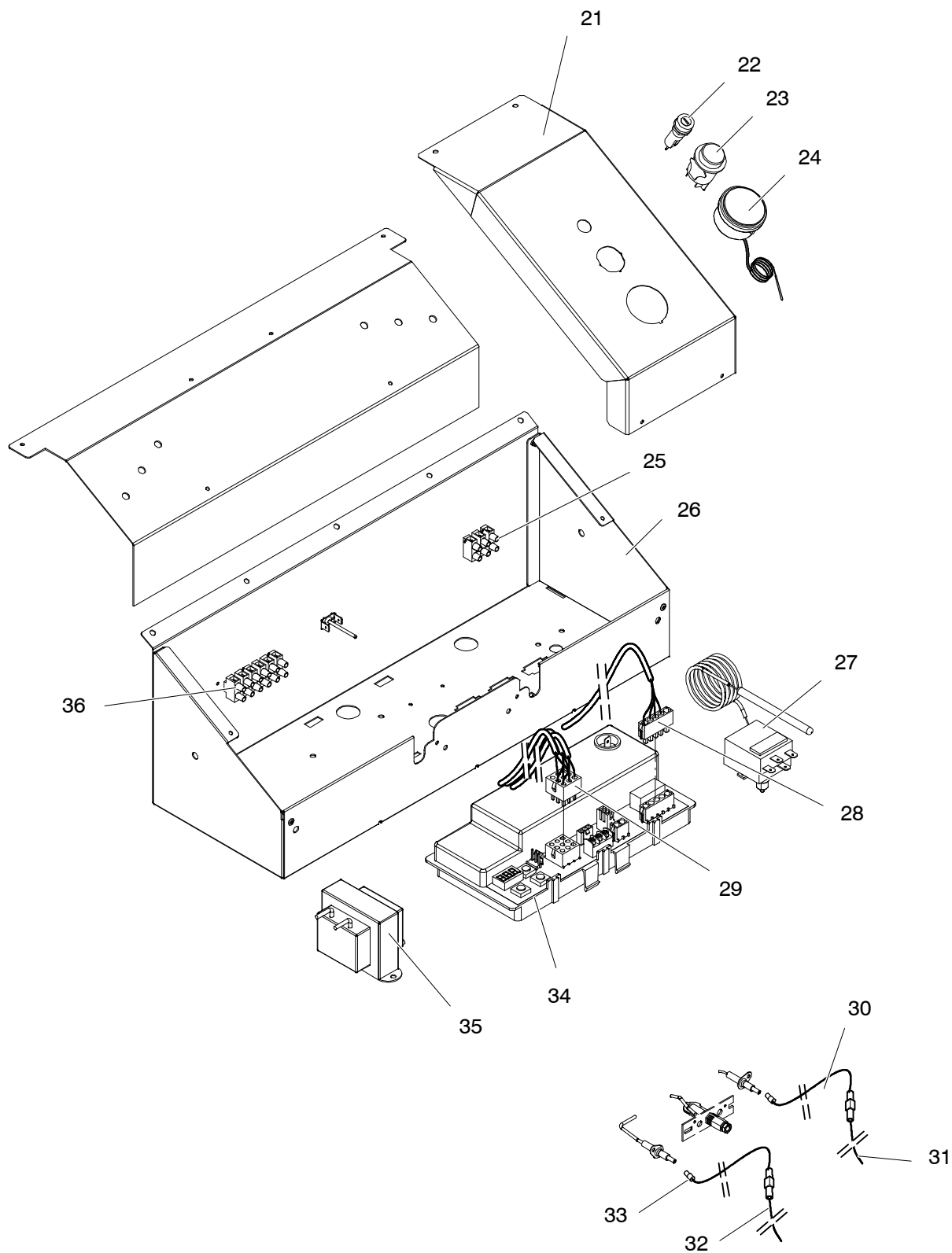
Main circuit assembly



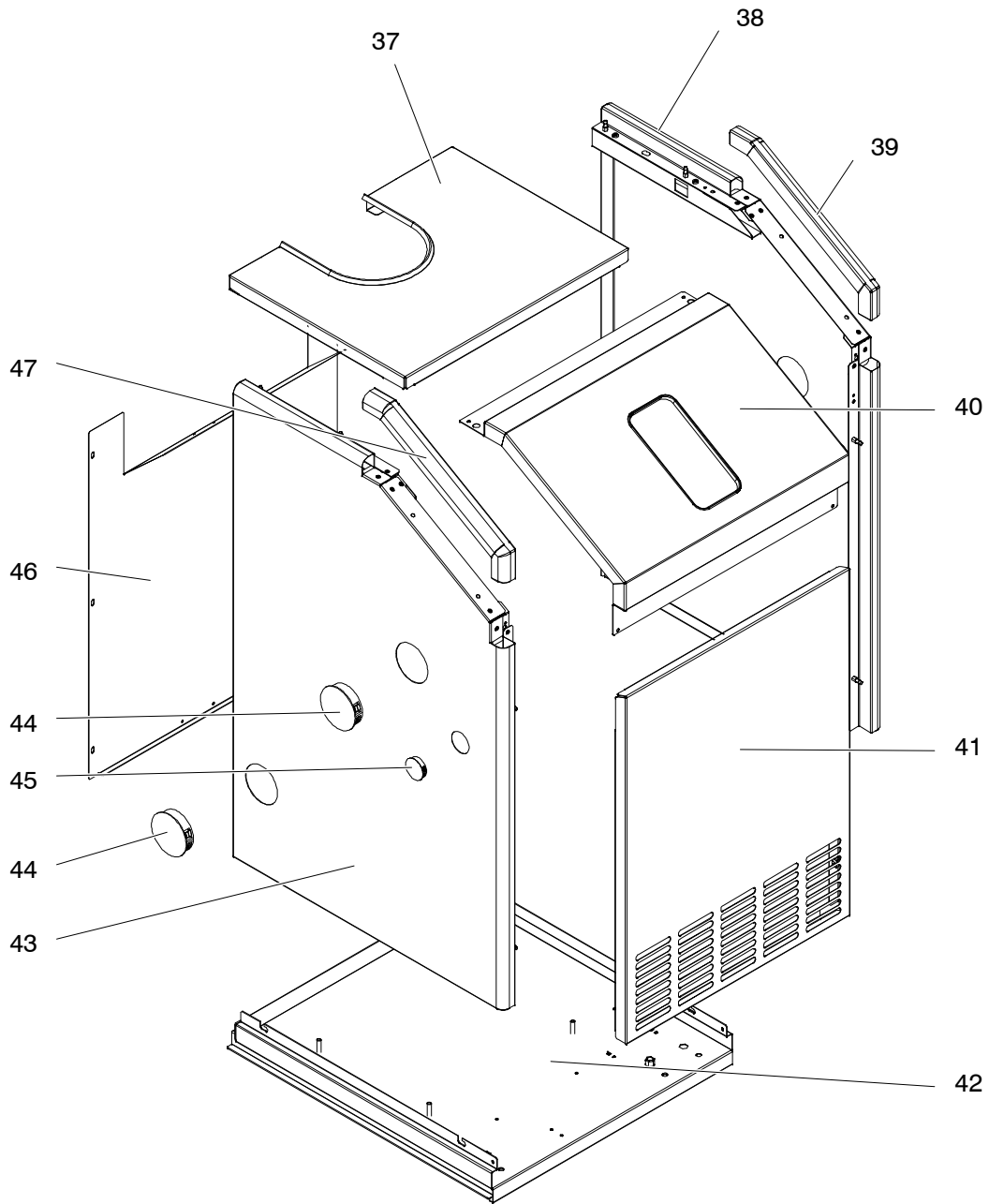
Gas assembly



Control panel, ignition device and wiring



Case panels



Key no.	Description	Spare part code
1	Flue gas hood (KAPPA 27R)	BI1312 507
1A	Flue gas hood (KAPPA 35R)	BI1312 529
1B	Flue gas hood (KAPPA 44R)	BI1312 530
1C	Flue gas hood (KAPPA 53R)	BI1312 531
2	Flue gas hood gasket	BI1312 100
3	Boiler body (KAPPA 27R)	BI1312 230
3A	Boiler body (KAPPA 35R)	BI1312 231
3B	Boiler body (KAPPA 44R)	BI1312 232
3C	Boiler body (KAPPA 53R)	BI1312 233
4	Immersion Well	BI1312 234
5	Spring	BI1312 235
6	Boiler body insulating (KAPPA 27R)	BI1436 151
6A	Boiler body insulating (KAPPA 35R)	BI1446 121
6B	Boiler body insulating (KAPPA 44R)	BI1436 152
6C	Boiler body insulating (KAPPA 53R)	BI1436 152
7	Safety thermostat 80°C	BI1312 236
8	Base boiler body insulating (KAPPA 27R)	BI1312 237
8A	Base boiler body insulating (KAPPA 35R)	BI1312 238
8B	Base boiler body insulating (KAPPA 44R)	BI1312 239
8C	Base boiler body insulating (KAPPA 53R)	BI1312 240
9	Combustion chamber Insulating (KAPPA 27R)	BI1312 159
9A	Combustion chamber Insulating (KAPPA 35R)	BI1312 160
9B	Combustion chamber Insulating (KAPPA 44R)	BI1312 161
9C	Combustion chamber Insulating (KAPPA 53R)	BI1312 162
10	Burner	BI1312 186
11	Burner plate Insulating (KAPPA 27R)	BI1312 194
11A	Burner plate Insulating (KAPPA 35R)	BI1312 195
11B	Burner plate Insulating (KAPPA 44R)	BI1312 196
11C	Burner plate Insulating (KAPPA 53R)	BI1312 197
12	Burner plate (KAPPA 27R)	BI1312 181
12A	Burner plate (KAPPA 35R)	BI1312 182
12B	Burner plate (KAPPA 44R)	BI1312 183
12C	Burner plate (KAPPA 53R)	BI1312 184
13	Flame inspection opening	BI1312 241
14	Gas valve connection	BI1312 242
15	Gas valve	BI1312 243
16	Pilot burner pipe (KAPPA 27R) (KAPPA 35R)	BI1312 244
16A	Pilot burner pipe (KAPPA 44R) (KAPPA 53R)	BI1312 245
17	Gas valve gasket	BI1013 101
18	Pilot burner flame	BI1312 246
19	Gas manifold (KAPPA 27R)	BI1312 174

Key no.	Description	Spare part code
19A	Gas manifold (KAPPA 35R)	BI1312 175
19B	Gas manifold (KAPPA 44R)	BI1312 176
19C	Gas manifold (KAPPA 53R)	BI1312 177
20	Injectors 255 with gaskets, pilot burner flame injector 45 - NG	BI1312 522
20A	Injectors 155 with gaskets, pilot burner flame injector 25 - LPG	BI1312 532
21	Control panel bracket	BI1925 133
22	Holder fuse	BI2155 102
23	Main switch ON/OFF	BI2155 101
24	Central heating thermometer	BI1925 134
25	Terminal block	BI1925 135
26	Control panel frame	BI1925 136
27	Safety thermostat	BI1925 137
28	Power supply cable	BI1925 138
29	Valve gas cable	BI1925 139
30	Ignition electrode cable	BI1925 140
31	Control ignition electrode cable	BI1925 141
32	Control detection electrode cable	BI1925 142
33	Detection electrode cable	BI1925 143
34	Electronic control - ignition p.c.b.	BI1925 144
35	Trasformer 24V with harnesses	BI1925 145
36	Terminal block	BI1925 146
37	Top panel (KAPPA 27R)	BI1446 158
37A	Top panel (KAPPA 35R)	BI1446 159
37B	Top panel (KAPPA 44R)	BI1446 160
37C	Top panel (KAPPA 53R)	BI1446 161
38	Right side panel	BI1446 162
39	Right case edge	BI1446 163
40	Top front panel (KAPPA 27R) (KAPPA 35R)	BI1446 164
40A	Top front panel (KAPPA 44R) (KAPPA 53R)	BI1446 165
41	Bottom front panel (KAPPA 27R) (KAPPA 35R)	BI1446 166
41A	Bottom front panel (KAPPA 44R) (KAPPA 53R)	BI1446 167
42	Boiler body tray (KAPPA 27R)	BI1446 168
42A	Boiler body tray (KAPPA 35R)	BI1446 169
42B	Boiler body tray (KAPPA 44R)	BI1446 170
42C	Boiler body tray (KAPPA 53R)	BI1446 171
43	Left side panel	BI1446 172
44	Plung 0,8-6,4	BI1446 173
45	Plung 0,8-6,4	BI1446 174
46	Rear panel (KAPPA 27R) (KAPPA 35R)	BI1446 175
46A	Rear panel (KAPPA 44R) (KAPPA 53R)	BI1446 176
47	Left case edge	BI1446 177